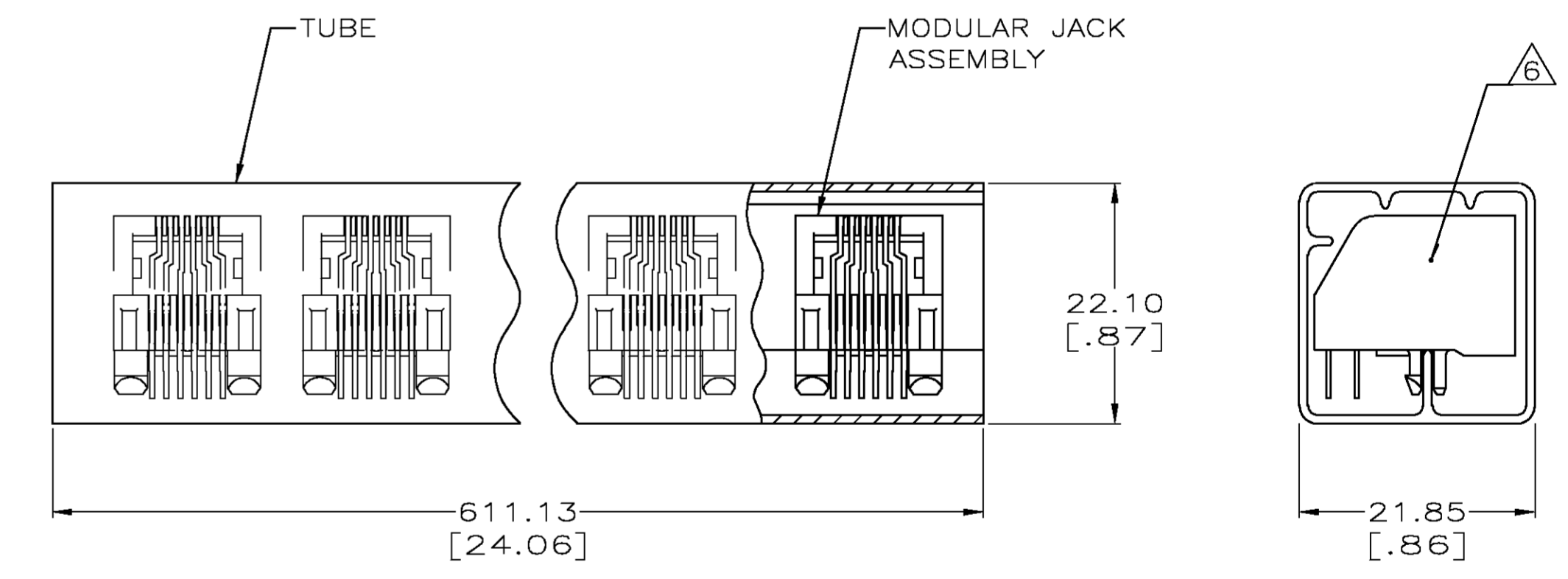
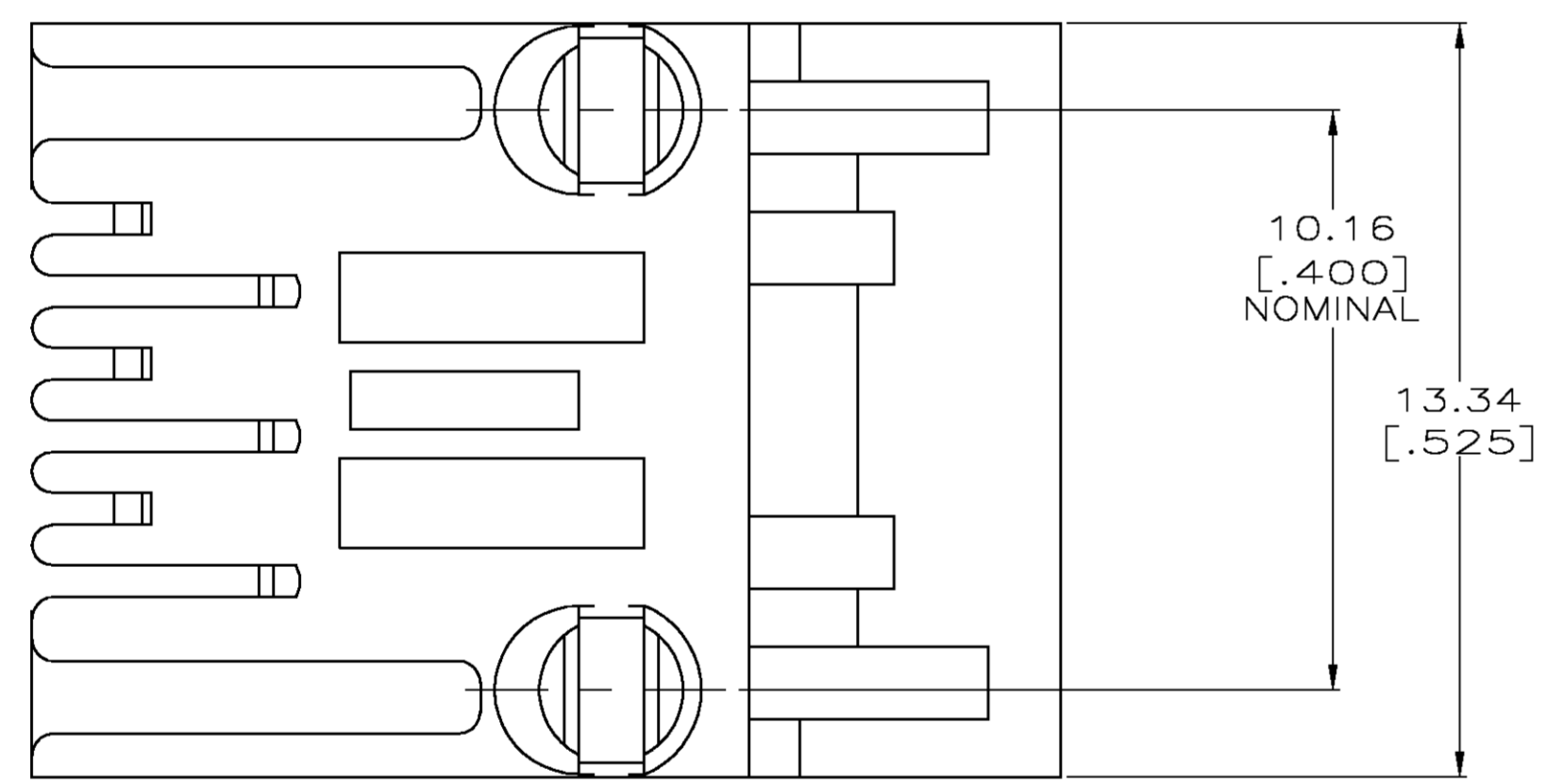
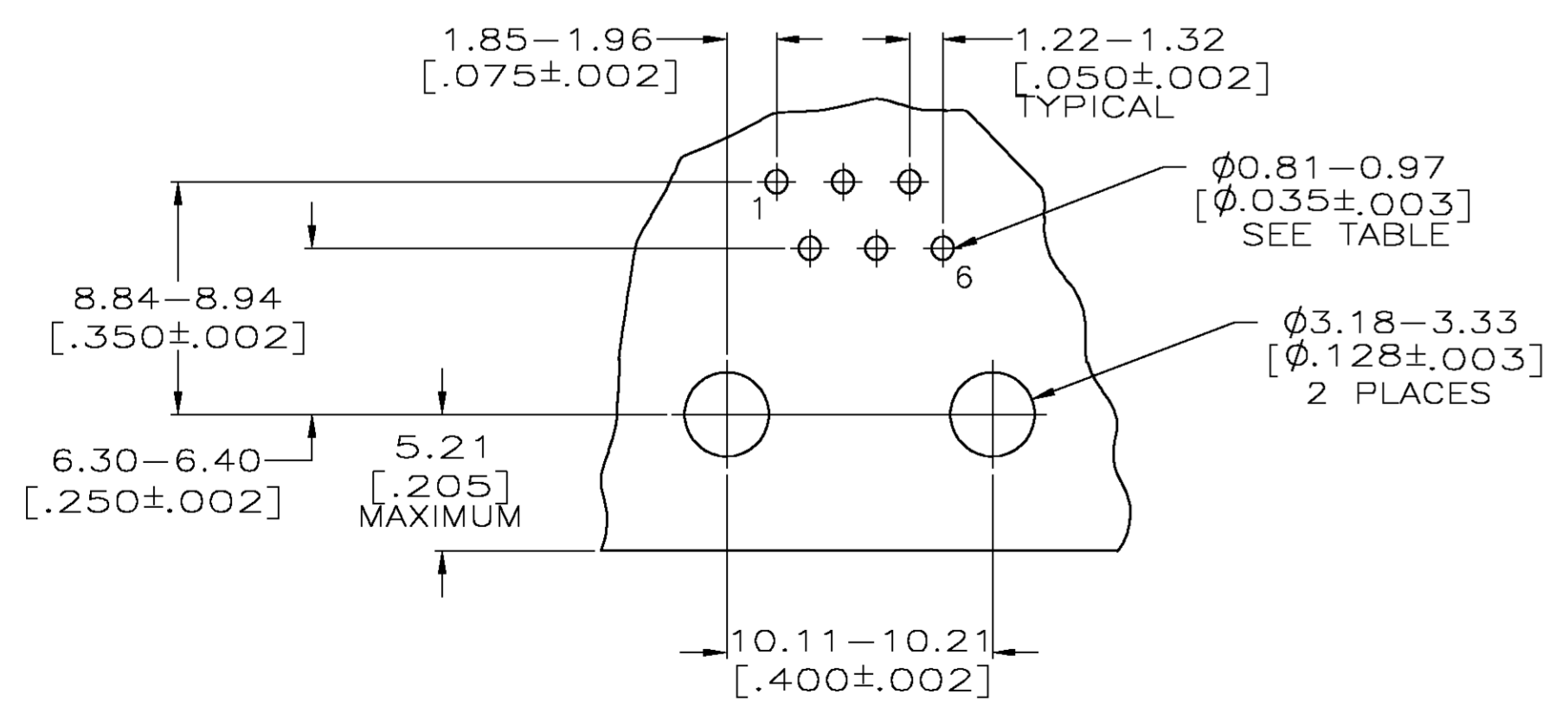


- ⚠ MATERIAL: HOUSING - PBT POLYESTER, SEE TABLE FOR COLOR.  
 TERMINAL - 0.35[.0138] THICK PHOSPHOROUS-BRONZE PLATED WITH 1.27 $\mu$ m[.000050] THICK HARD GOLD IN LOCALIZED GOLD PLATE AREA AND 2.03 $\mu$ m[.000080] THICK TIN LEAD IN SOLDER AREA OVER 1.27 $\mu$ m[.000050] THICK NICKEL UNDERPLATE.
- ⚠ CAVITY CONFORMS TO FCC RULES AND REGULATIONS PART 68, SUBPART F.
- ⚠ DIMENSIONS ARE MAXIMUM UNLESS OTHERWISE SPECIFIED.
- ⚠ TERMINALS FOR 555165-2, -7 AND -8 LOCATED IN FOUR CENTER POSITIONS.
- ⚠ BULK PACKAGED IN A TRAY.
- ⚠ PACKAGED 43 ASSEMBLIES PER TUBE WITH BOTH ENDS CLOSED. SEE DETAIL A.
- ⚠ TERMINALS FOR 555165-5 AND -6 LOCATED IN TWO CENTER POSITIONS.



DETAIL A  
SCALE 2:1



SUGGESTED PRINTED CIRCUIT BOARD  
 MOUNTING HOLE LAYOUT  
 VIEW SHOWN AS COMPONENT SIDE OF BOARD  
 SCALE 4:1

OBsolete	2.79±0.25[.110±.010]	BLACK	6	⚠	⚠	6	555165-9
	3.81±0.51[.150±.020]	GRAY	CENTER 4	⚠	⚠	4	555165-8
	2.79±0.25[.110±.010]	BLACK	CENTER 4	⚠	⚠	4	555165-7
	2.79±0.25[.110±.010]	GRAY	CENTER 2	⚠	⚠	2	555165-6
	3.81±0.51[.150±.020]	BLACK	CENTER 2	⚠	⚠	2	555165-5
			6	⚠	⚠	6	555165-4
			CENTER 4	⚠	⚠	4	555165-2
			6	⚠	⚠	6	555165-1
	CUTOFF DIMENSION A	COLOR	HOLES REQUIRED	PACKAGED	TERMINALS REQUIRED	PART NUMBER	

THIS DRAWING IS A CONTROLLED DOCUMENT.

DIMENSIONS: MM [INCHES]	TOLERANCES UNLESS OTHERWISE SPECIFIED:	DIN D. STRAUSSER 05 APR 94	APVD J. TONEY 14 APR 94	NAME	TYCO Electronics
0 PLC ± -	1 PLC ± -	2 PLC ± -	3 PLC ± -	4 PLC ± -	ANGLES ± -
MATERIAL	FINISH	SIZE	CAGE CODE	DRAWING NO	RESTRICTED TO
		A1	00779	555165	

CUSTOMER DRAWING SCALE 8:1 SHEET 1 OF 1 REV N